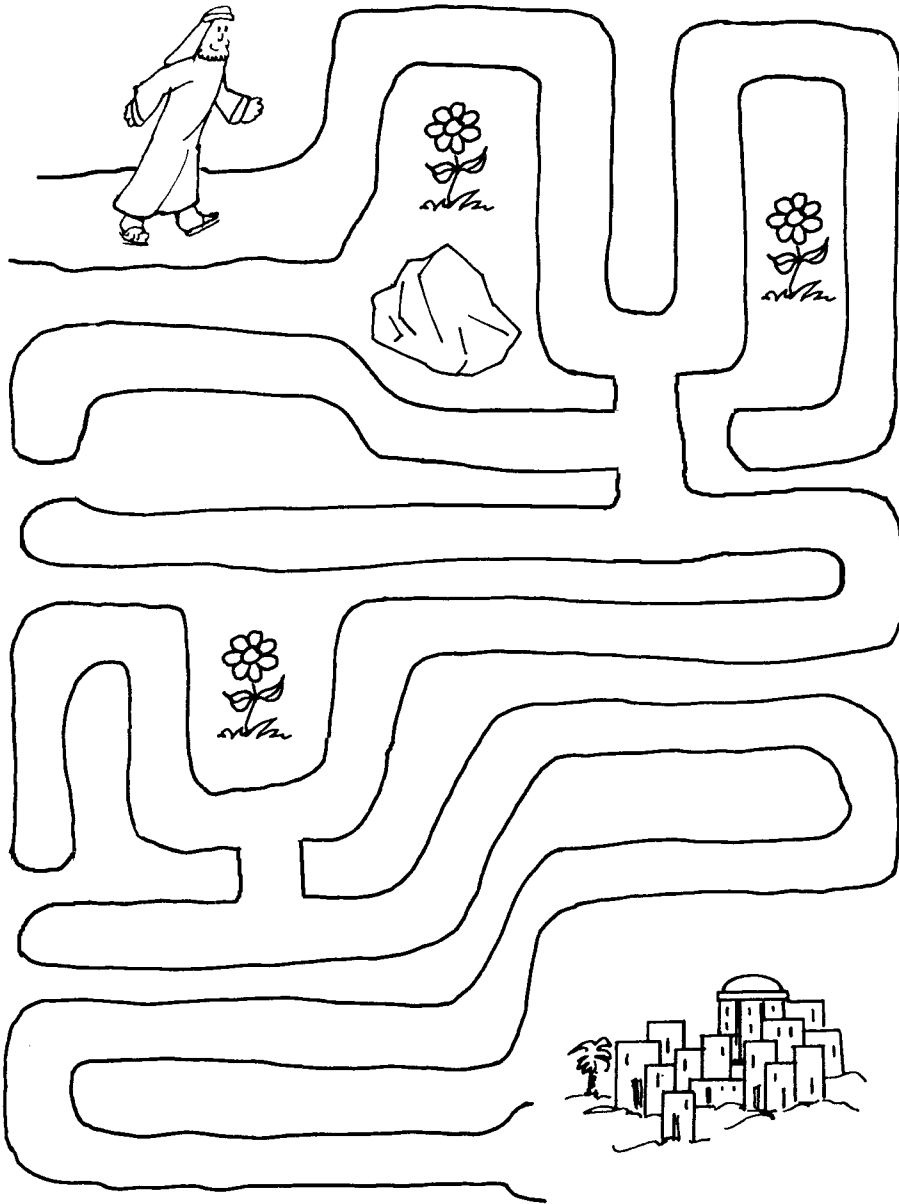


Isaiah heard the voice of God asking, "Who shall I send?" Isaiah answered, "Send me!"

Follow the maze.



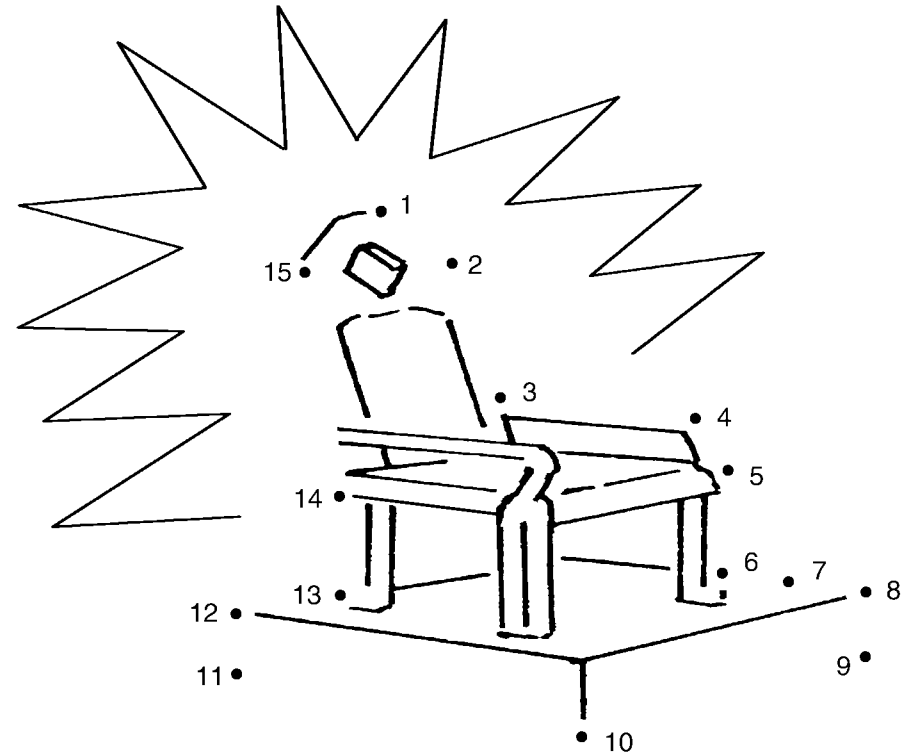
Ages 3+

January 10, 2021 • Isaiah 6:1-8

## The Call of Isaiah

Isaiah had a vision of what God was sitting on.

Connect the dots. 1 2 3 4 5 6 7 8 9 10 11 12 13 14 15



FIRST BAPTIST CHURCH - GONZALES

1217 S Burnside Ave.

(225)647-8575

www.fbcg.net

Enter your **SECRET CODE** to unlock games @  
[games.childrensbulletins.com](http://games.childrensbulletins.com)

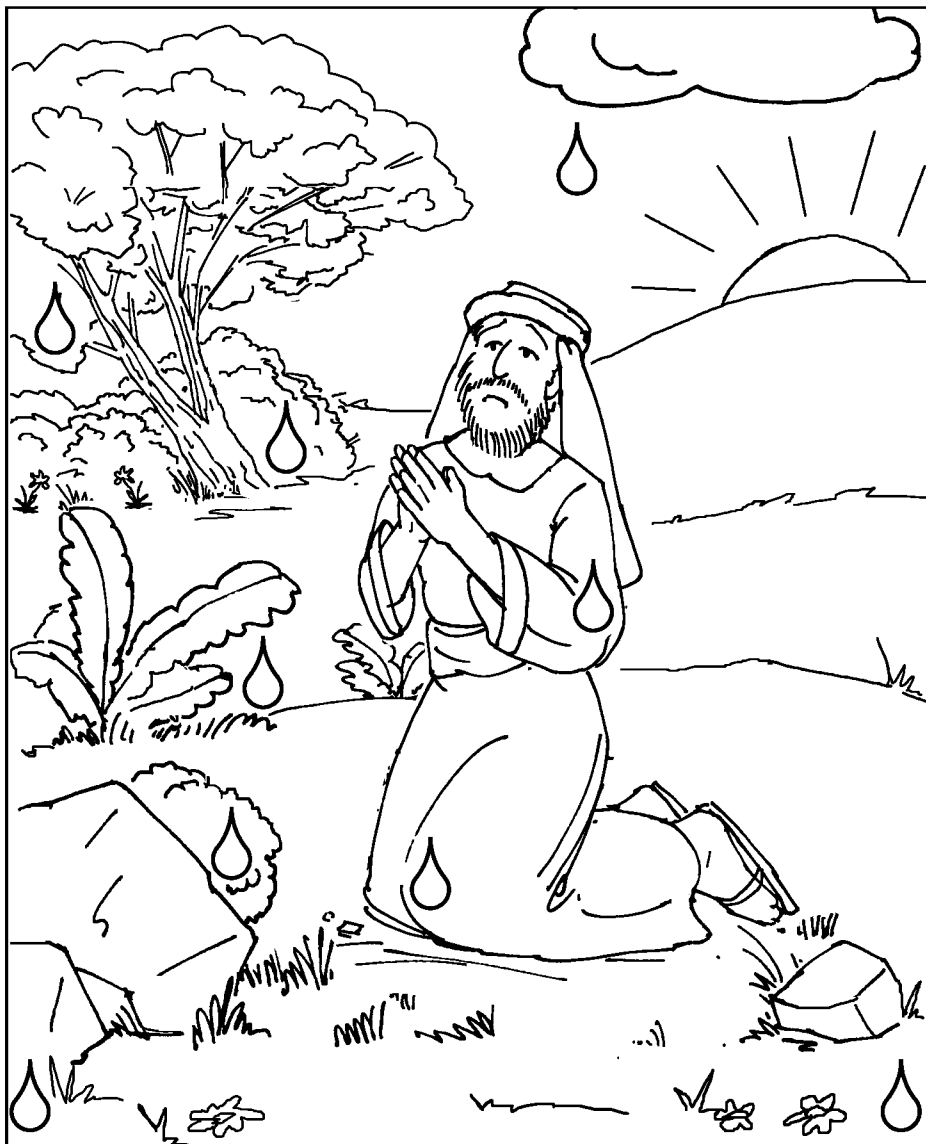
**SECRET CODE**  
**PMFBD3**

Isaiah was filled with guilt for himself and for the people.

Find and count the hidden



Circle the correct number. 8 or 9 or 10 ?



God touched Isaiah's lips and gave him a message of hope.

What did God tell Isaiah?

Use the code to fill in the missing letters.



= A



= E



= I



= O



= U

Y



R

G



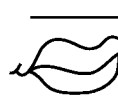
L

T

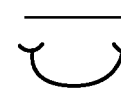


S

T



K



N



W



Y